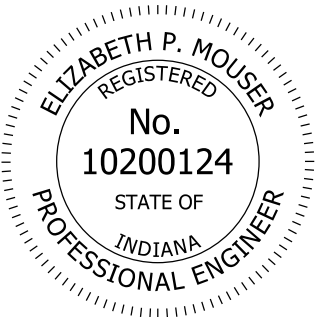
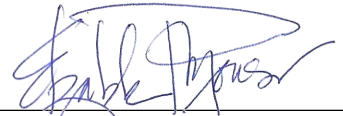





INDEX	
SHEET NO.	SUBJECT
1	COATING REQUIREMENTS FOR STRUCTURAL STEEL INDEX
2	COATING REQUIREMENTS FOR WEATHERING STEEL
3	COATING REQUIREMENTS FOR EXISTING STRUCTURAL STEEL ENCASED IN CONCRETE

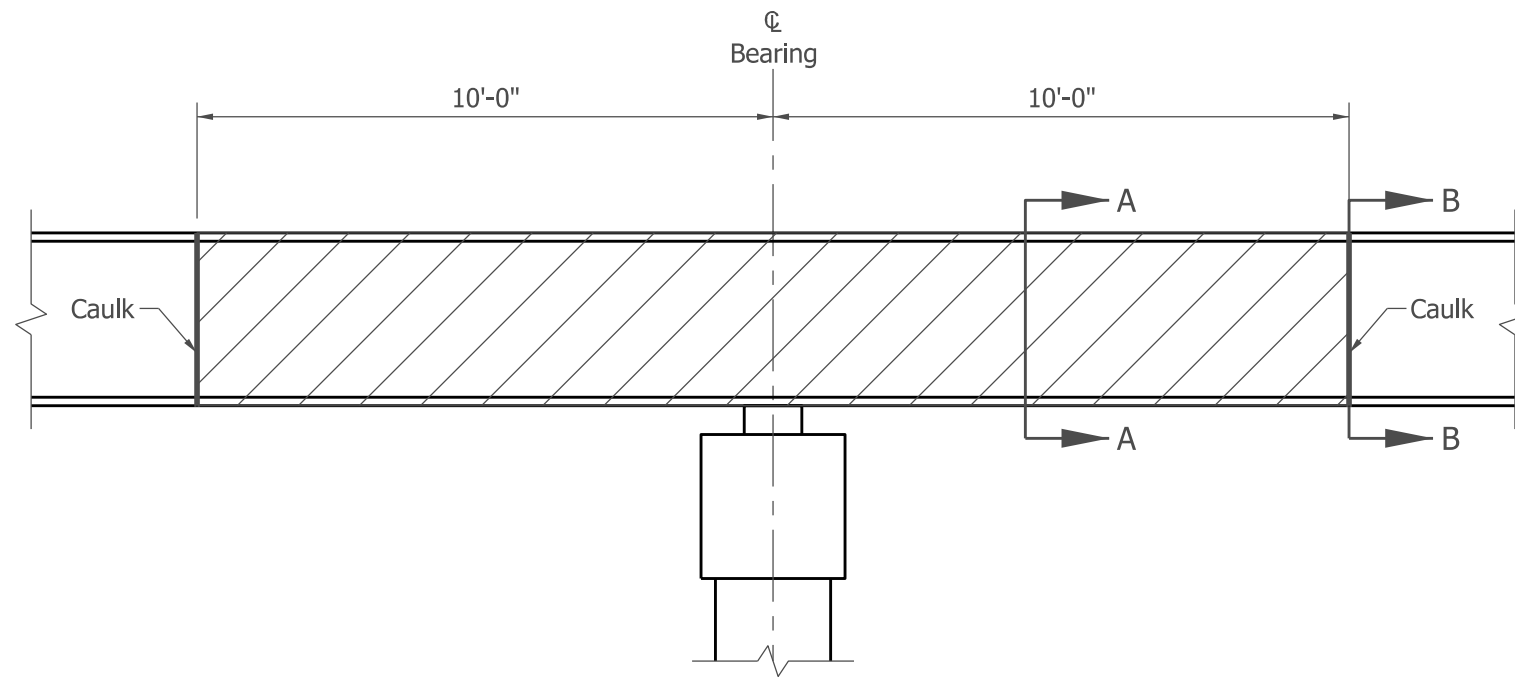
INDIANA DEPARTMENT OF TRANSPORTATION	
COATING REQUIREMENTS FOR STRUCTURAL STEEL INDEX SEPTEMBER 2024	
STANDARD DRAWING NO. E 619-PRWS-01	
	 DESIGN STANDARDS ENGINEER      04/12/2024 <small>DATE</small>
	 CHIEF ENGINEER      04/22/2024 <small>DATE</small>

**NOTE:**

1. Caulk shall be placed on the coated surface at the coated/uncoated interface and is intended to function as a drip bead.

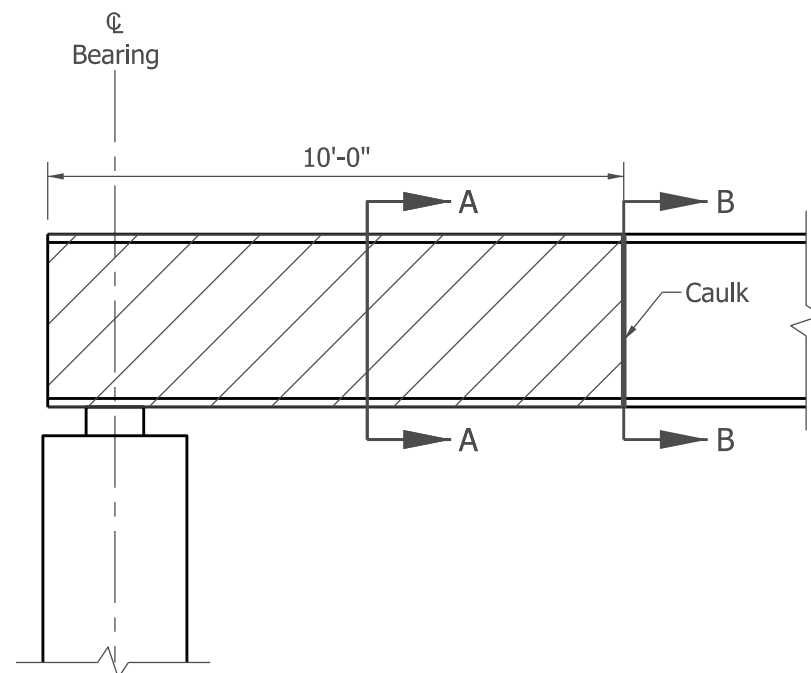
**LEGEND:**

-  = Area to be coated
-  = Caulk Bead



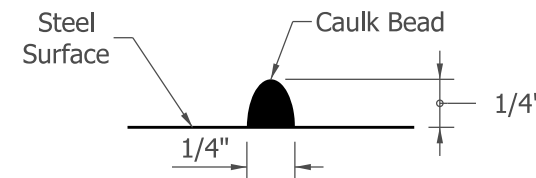
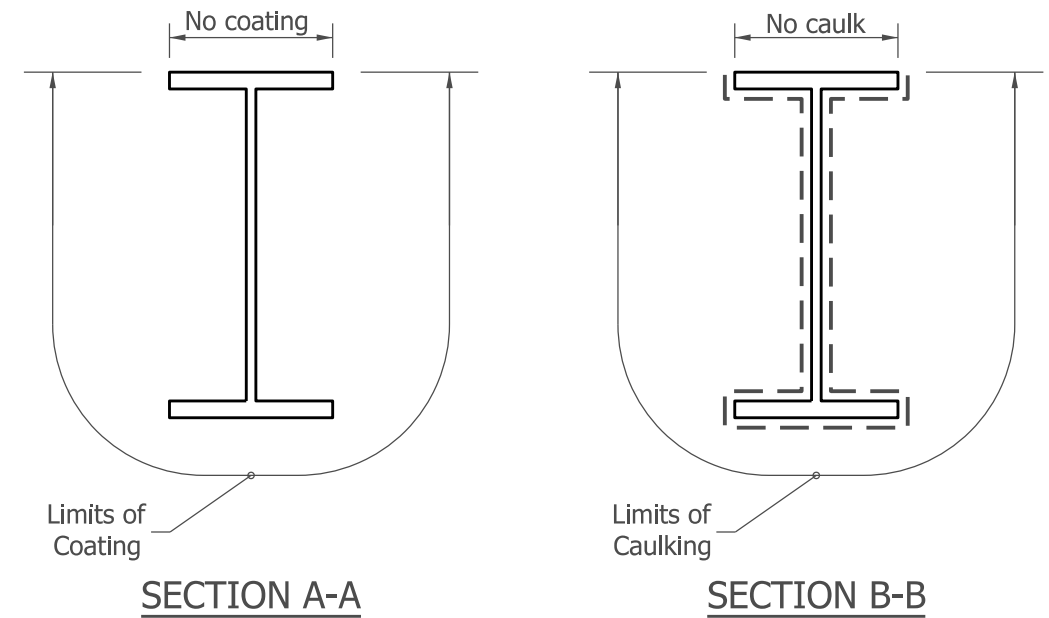
**BEAM OR GIRDER AT INTERIOR SUPPORT**

ELEVATION VIEW  
(Bridge Deck not shown for clarity)

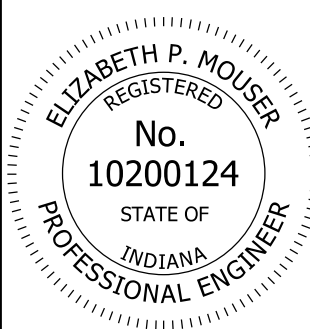

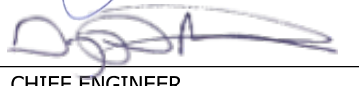


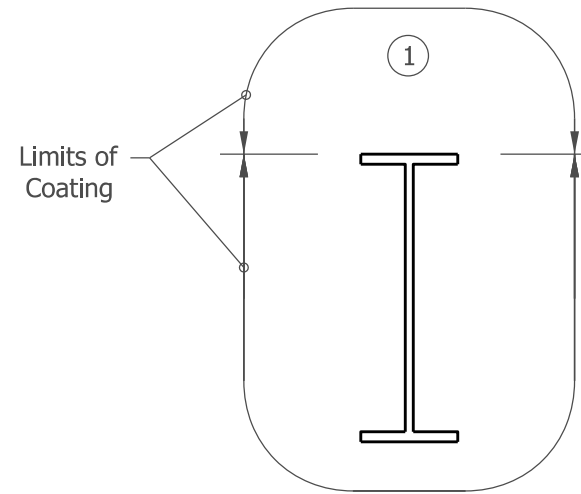
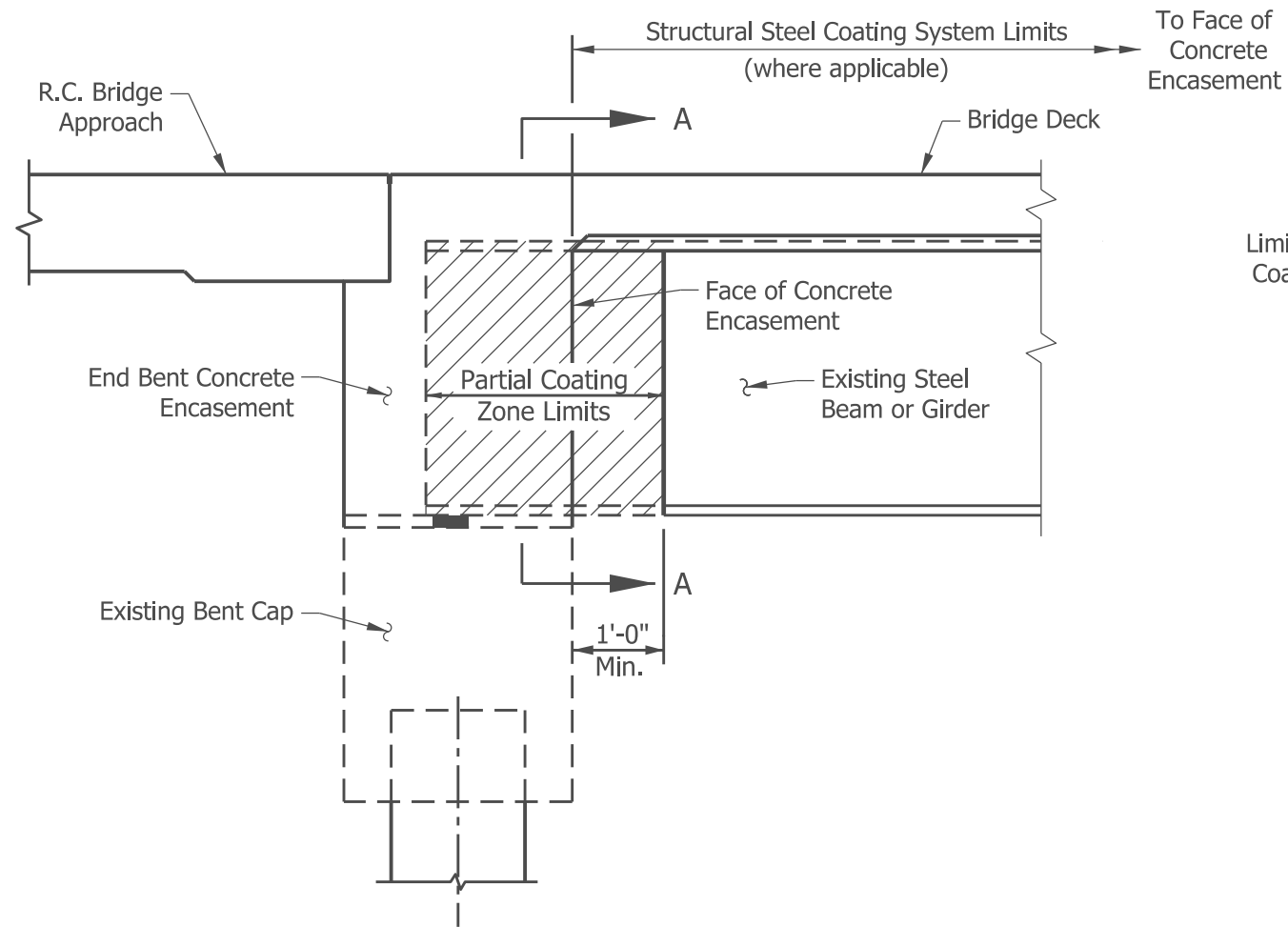
**BEAM OR GIRDER AT END-BENT SUPPORT**

ELEVATION VIEW  
(Bridge Deck, Mudwall, and Concrete Encasement not shown for clarity)



**CAULK BEAD DETAIL**

<b>INDIANA DEPARTMENT OF TRANSPORTATION</b>	
<b>COATING REQUIREMENTS FOR WEATHERING STEEL</b>	
<b>SEPTEMBER 2024</b>	
<b>STANDARD DRAWING NO.</b>	<b>E 619-PRWS-02</b>
	 DESIGN STANDARDS ENGINEER      04/12/2024 DATE
	 CHIEF ENGINEER      04/22/2024 DATE



SECTION A-A

EXISTING STRUCTURAL STEEL MEMBERS  
ENCASED IN CONCRETE

**NOTE:**

- ① Where shear connectors have been specified, the top of the top flange shall not be coated.

**LEGEND:**

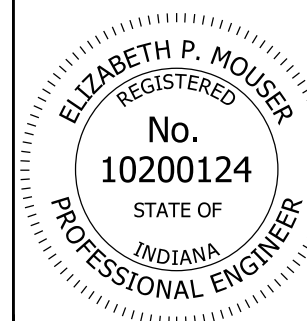
= Area to be coated

INDIANA DEPARTMENT OF TRANSPORTATION

COATING REQUIREMENTS FOR  
EXISTING STRUCTURAL STEEL  
ENCASED IN CONCRETE

SEPTEMBER 2024

STANDARD DRAWING NO. E 619-PRWS-03



DESIGN STANDARDS ENGINEER      04/16/2024  
DATE

CHIEF ENGINEER      04/22/2024  
DATE